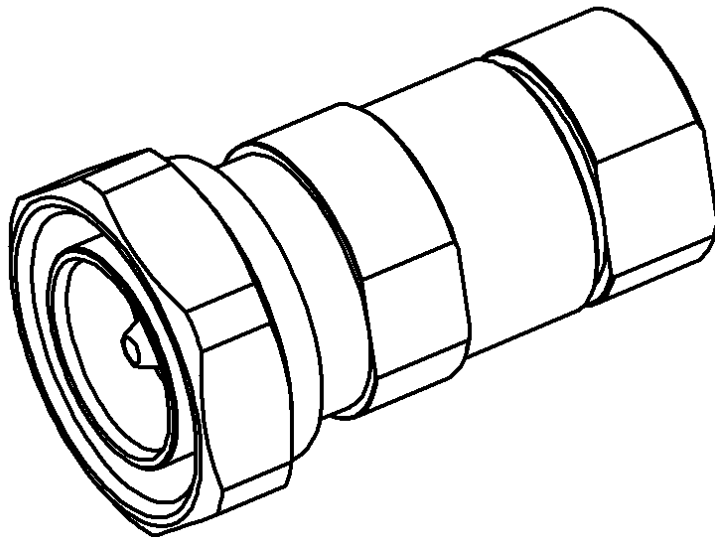
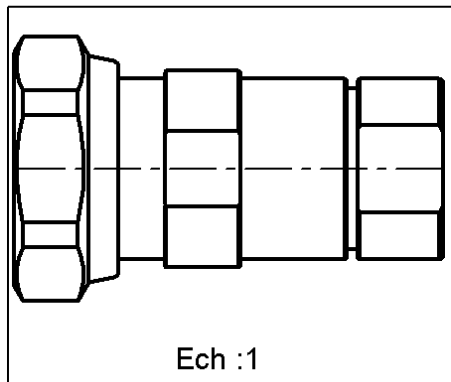
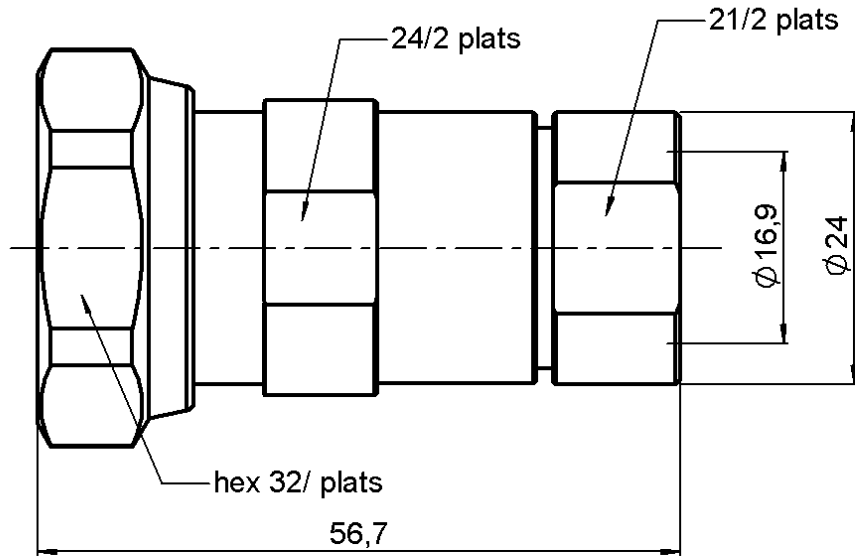


**STRAIGHT PLUG EZ FIT TYPE**

**1/2" CORRUGATED CABLE**

**R185.031.020**

Series : 7-16



All dimensions are in mm.



COMPONENTS	MATERIALS	PLATINGS (µm)
BODY	BRASS	BBR 0.5 OVER SILVER 3
CENTER CONTACT	BERYLLIUM COPPER, BRASS	SILVER 5 OVER COPPER 0.5
OUTER CONTACT	BRASS	BBR 0.5 OVER SILVER 3
INSULATOR	PTFE	
GASKET	SILICONE RUBBER	
OTHERS PARTS	BRASS	BBR 0.5 OVER SILVER 3
-	-	-
-	-	-

Issue : 0411 A

In the effort to improve our products, we reserve the right to make changes judged to be necessary.



**STRAIGHT PLUG EZ FIT TYPE**

**R185.031.020**

**1/2" CORRUGATED CABLE**

Series : 7-16

**PACKAGING**

Standard	Unit	Other
<b>1</b>	-	<b>Contact us</b>

**SPECIFICATION**

**ELECTRICAL CHARACTERISTICS**

Impedance		<b>50</b> Ω
Frequency		<b>0-7.5</b> GHz
VSWR	* +	<b>0.000</b> x F(GHz) Maxi
Insertion loss		<b>0.05</b> √F(GHz) dB Maxi
RF leakage	- (	<b>NA</b> - F(GHz)) dB Maxi
Voltage rating		<b>1400</b> Veff Maxi
Dielectric withstanding voltage		<b>2500</b> Veff mini
Insulation resistance		<b>10000</b> MΩ mini

**CABLE ASSEMBLY**

Stripping	a	b	c	d	e	f
mm	5.00	16.0	23.7	0.00	2.70	0.00

Assembly instruction :

Recommended cable(s)  
 LCF 1/2" Cu2y  
 LDF4-50A - 1/2"  
 M 1473 Z  
 M 2831 Z

**MECHANICAL CHARACTERISTICS**

Center contact retention		
Axial force – Mating end		<b>200</b> N mini
Axial force – Opposite end		<b>100</b> N mini
Torque		<b>NA</b> N.cm mini

Cable retention

- pull off	<b>400</b> N mini
- torque	<b>NA</b> N.cm

**TOOLING**

Part Number	Description	Hexagon
.	.	.
R282.011.050	STRIPPING TOOL	-

Recommended torque		
Mating		<b>3500</b> N.cm
Panel nut		N.cm
Clamp nut		<b>800</b> N.cm
A/F clamp nut		<b>21.000</b> mm

**OTHERS CHARACTERISTICS**

\* ROS 1.06 max <2.5GHz  
 \*\* IMP3 = -112dBm à 1.8GHz (2 x 20W)  
 Watertightness : IP68

Mating life		<b>500</b> Cycles mini
Weight		<b>138.500</b> g

**ENVIRONMENTAL**

Operating temperature		<b>-55°/+155</b> °C
Hermetic seal		<b>NA</b> Atm.cm3/s
Panel leakage		<b>NA</b>

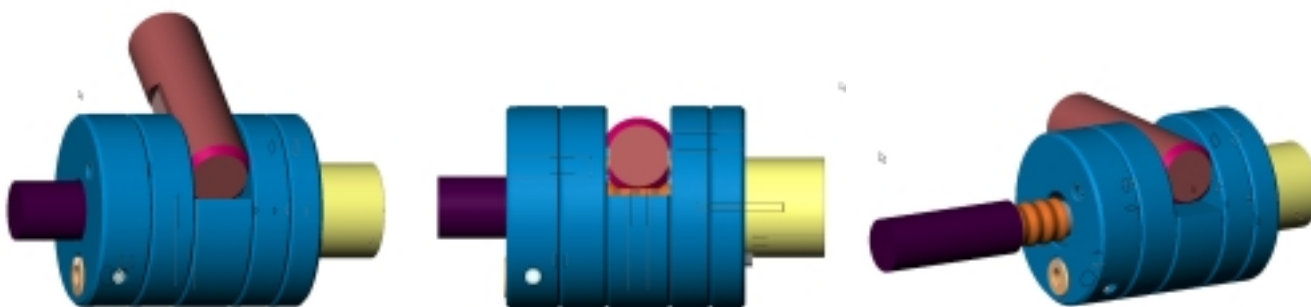
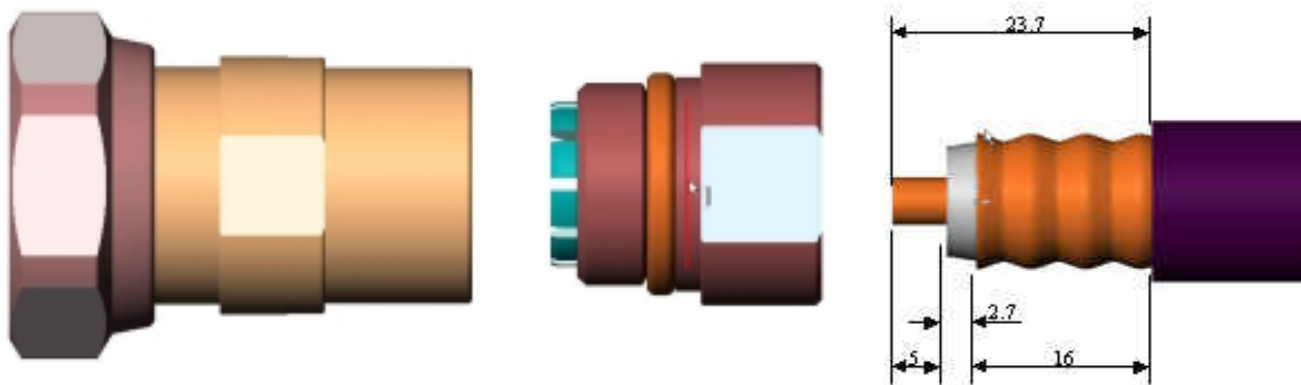
Issue : 0411 A

In the effort to improve our products, we reserve the right to make changes judged to be necessary.



**STRAIGHT PLUG EZ FIT TYPE****1/2" CORRUGATED CABLE****R185.031.020**

Series : 7-16

**1) STRIPPING OF THE SHEATH AND THE OUTER CONDUCTOR**

Cut the cable end in a hollow ( between two rings ) with a hacksaw .

Raise the handle and introduce the cable until it stops in the stripping tool.

Push down the handle by exerting a light pressure on it , keep turning the tool until it turns freely.

Hold the handle down , and turn the tool ( of approximately 1/4 of tour ) in the opposite direction , while pulling gently on the cable in order to release pieces of the cable cut.

Raise the handle, slide the cable out and remove loose pieces of cable.

In case of cut parts jammed in the tool : raise the handle , introduce again the stripped cable in the tool, screw slightly the cable into the copper previously cut and remove cable + loose parts.

Push down again the handle.

**Issue : 0411 A**

In the effort to improve our products, we reserve the right to make changes judged to be necessary.



**STRAIGHT PLUG EZ FIT TYPE**

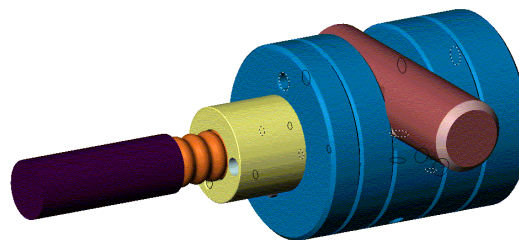
**R185.031.020**

**1/2" CORRUGATED CABLE**

Series : 7-16

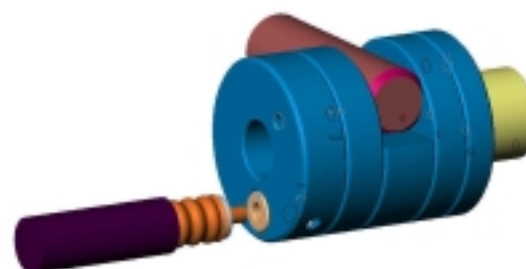
**2) STRIPPING OF THE DIELECTRIC**

Introduce the cable in the opposite side of the tool  
Turn the tool and exert a light pressure until stop.  
After cutting the dielectric cut will be extracted on the other side of the tool.



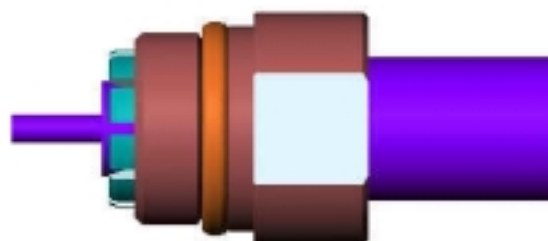
**3) POINTING OF THE CABLE**

Introduce the cable in the tool as shown.  
Turn the tool to point the inner conductor of the cable.



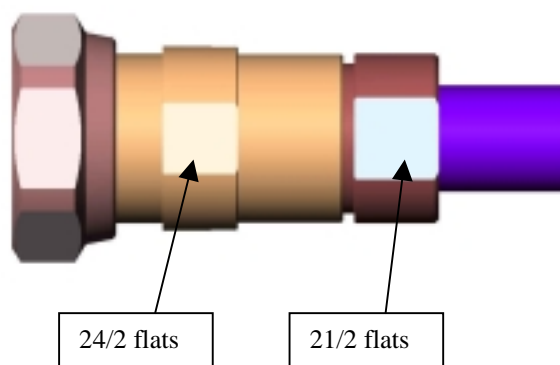
**2) CABLE MOUNTING**

Mount the clamp nut on the cable , until the clipsage of the elastic contact on the first annelure .  
To push the part defers the tow press in stop on the elastic contact.



**3) MOUNTING CABLE**

Mount the clamp nut with the cable in the body of the connector.  
Couple of tightening recommended: 800N.cm



**Issue : 0411 A**

In the effort to improve our products, we reserve the right to make changes judged to be necessary.

